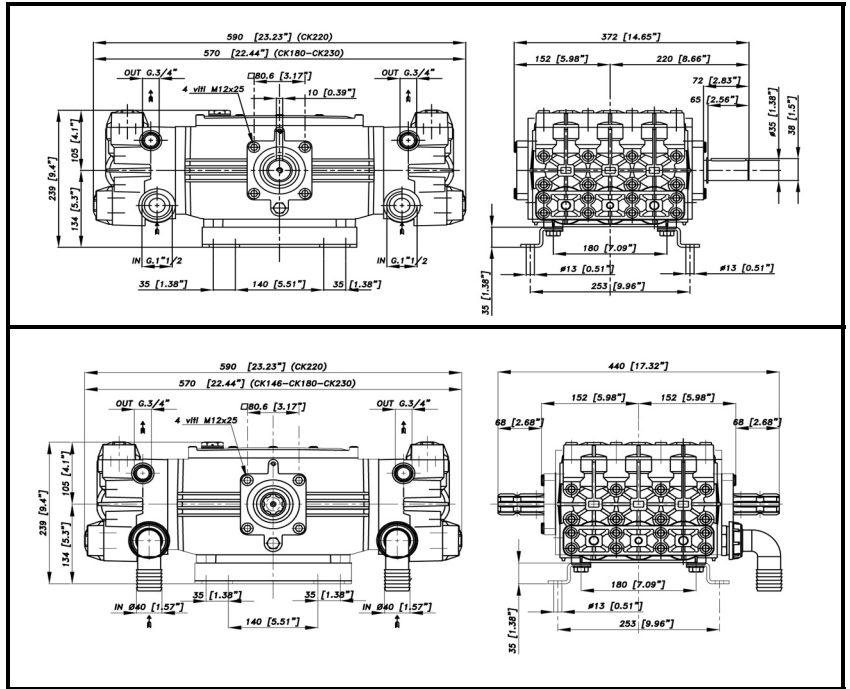
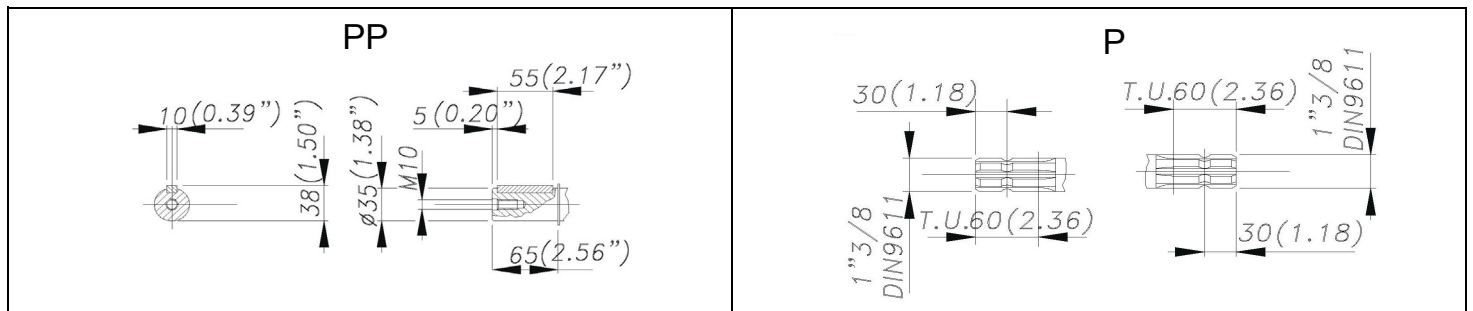


DIMENSIONI D'INGOMBRO - OVERALL DIMENSIONS



ALBERO POMPA - PUMP SHAFT



COPPIA DI SERRAGGIO - TORQUE CHART

CODICE - CODE	Q.TY	POS	N.m	Lbr.ft
86.3910.00.2	32	10	68	50,2
86.4120.00.2	16	12	68	50,2
86.3696.00.2	8	47	50	36,9
86.2216.00.2	16	30	10	7,4
86.1930.00.2	12	34	5 (LOCTITE 242)	3,7 (LOCTITE 242)
86.3740.00.2	4	53	68 (LOCTITE 242)	50,2 (LOCTITE 242)
86.3950.00.2	6	64	40 (LOCTITE 242)	29,5 (LOCTITE 242)

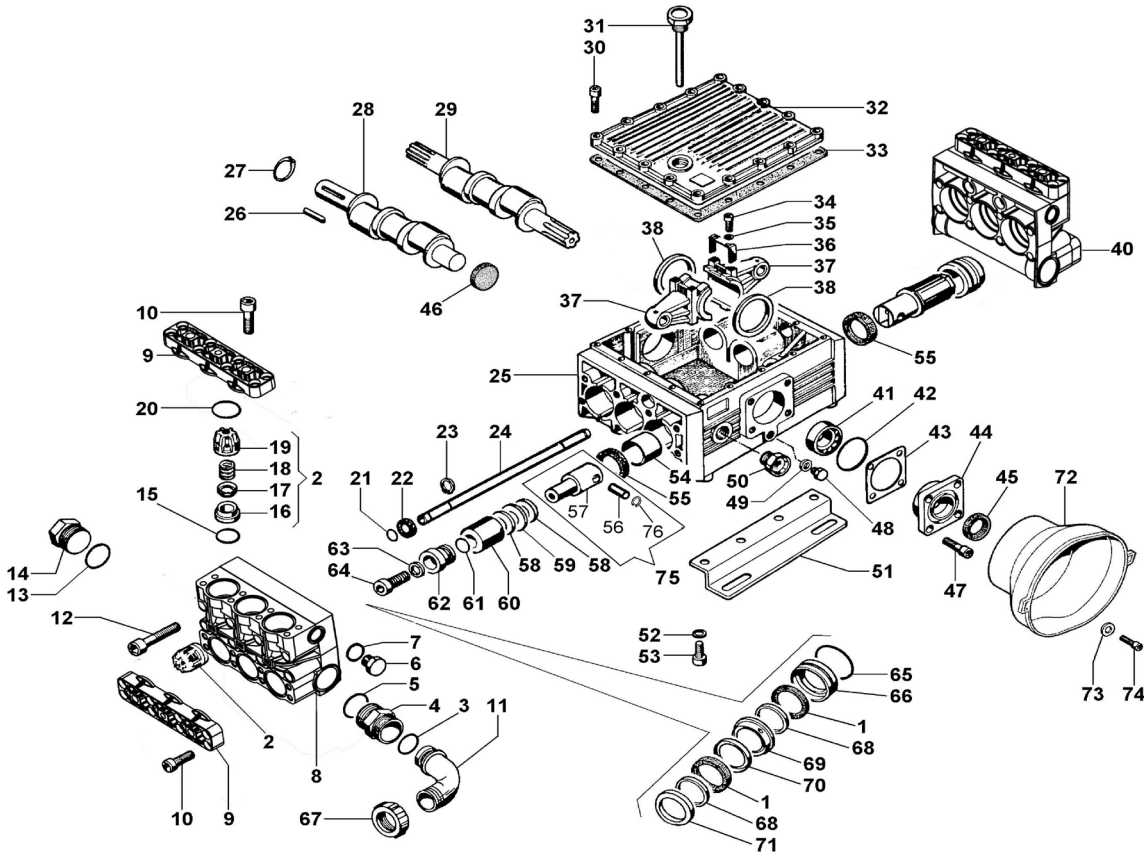
Tolleranza di serraggio: 0/-10%  
Tolerance on torque value:

INFORMAZIONI UTILI  
USEFUL INFORMATION

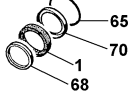
LUBRIFICANTE - LUBRICANT:

OLIO MOTORE O SEMIDRAULICO SAE 30  
MOTOR OIL OR SEMI-HYDRAULIC OIL SAE 30

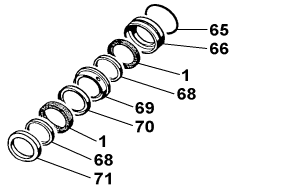
# CK 180-220-230 PP CK 146-220 P



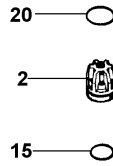
**KIT 57**



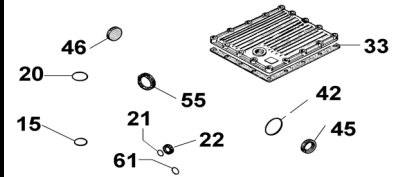
**KIT 122**



**KIT 256**



**KIT 257**



POS.	CODICE PART NO. RÉF.	DENOMINAZIONE - DESCRIPTION - DESCRIPTION	Q.TY	POS.	CODICE PART NO. RÉF.	DENOMINAZIONE - DESCRIPTION - DESCRIPTION	Q.TY
1-kit 57-122	802201002	V" PACKING 45X60	12	42-kit 257	803290002	O-RING DIA.3,53x85,32	2
2-kit 256	739824973	VALVES ASSEMBLY	12	43/1	730061652	SHIM	1
3	803208502	O-RING DIA.2,62x37,77	2	43/2	730060652	SHIM	1
4	835092502	NIPPLE G.1" 1/2-G.1" 3/4	2	44	730003092	COVER	2
5	803209602	O-RING DIA.2,62X47,3	2	45-kit 257	802143002	OIL SEAL	2
6	852693002	CAP G3/4	2	46-kit 257	802099602	CAP (VR.PP)	1
7	803218002	O-RING DIA.3X22	2	47	863696002	BOLT TCEI M12X25	8
8	760228092	HEAD	1	48	852579002	PLUG G 3/8	1
9	730416092	VALVES COVER	4	49	824109002	GASKET DIA.17X22X1	1
10	863910002	BOLT TCEI M12X40 UNI 5931	32	50	853515002	OIL SIGHT GLASS	1
11	840595002	90° ELBOW TAIL DIA.40 MM.	2	51	730024612	MOUNTING BRACKET	2
12	844120002	BOLT TCEI M12X110 UNI 5931	12	52	843906002	WASHER	4
13	803209602	O-RING DIA.2,62X47,3	2	53	863740002	BOLT M12X30 UNI 5739	4
14	852752002	PLUG 1"1/2	2	54	804465002	ANTIFRICTION BUSH DIA.40X44X50	6
15-kit 257-256	803253002	O-RING DIA.3,53X34,52	12	55-kit 59-257	802180002	OIL SEAL DIA.40X55X7	6
16	730122512	VALVE SEAT	12	56	852007302	PISTON PIN	6
17	730123682	POPPET	12	57	730080092	PLUNGER ROD	6
18	730118512	SPRING	12	58	730056532	SPACER	12
19	730129322	VALVE CAGE	12	59	844301002	WASHER DIA.25,3X50X1	6
20-kit 257-256	803270002	O-RING DIA.3,53X49,2	12	60	730010182	CERAMIC PISTON DIA.45	6
21-kit 257	803217302	O-RING DIA.3X16	4	61-kit 257	803195502	O-RING DIA.2,62X20,24	6
22-kit 257	802089002	OIL SEAL	2	62	730041512	WASHER	6
23	801160002	SNAP RING	2	63	843872002	WASHER D.12	6
24	760056822	HEADS CONNECTION PIPE	1	64	863950002	BOLT M12X45	6
25	760300082	PUMP CRANKCASE	1	65-kit 57-122	803283002	O-RING DIA.3,53X58,74	6
26	806585002	TAB 10X8X55 (VR.PP)	1	66-kit 122	730070532	BACK GLAND	6
27	801264002	SNAP RING (VR.PP)	1	67	820095002	WING NUT G1" 3/4	2
28	760027262	CRANKSHAFT (CK 220 PP)	1	68-kit 57-122	730044322	THRUST RING	12
28	730037262	CRANKSHAFT (CK 230 PP)	1	69-kit 122	730058532	FRONT GLAND	6
28	730319262	CRANKSHAFT (CK 180 PP)	1	70-kit 57-122	730040322	ANTIEXTRUSION RING	6
29	730032262	CRANKSHAFT (CK 220 P)	1	71-kit 122	730039532	SPACER	6
29	730030262	CRANKSHAFT (CK 146 P)	1	72 opt.	311482322	PLAIN SAFETY CONE	1
30	862216002	BOLT M6X25	16	73 opt.	843696002	WASHER DIA.8,4x18x2	2
31	853519002	OIL FILLING PLUG	1	74	842475002	SCREW	2
32	760002092	CRANKCASE COVER	1	75	73001109A	PLUNGER ROD + PISTON PIN KIT	6
33-kit 257	760065722	GASKET	1	76	800040002	SNAP RING	12
34	861930002	BOLT T.C.E.I. M5X12	12				
35	843651502	WASHER DIA.5,3X9X0,9	12				
36	760046612	FORK	6				
37/1	760010092	CONROD	6				
37/2 opt.	760014112	BRONZE CONROD (OPTIONAL)	6				
38	760047762	RING	6				
40	760227092	HEAD	1				
41	812859002	CONICAL ROLLER BEARING DIA.35X72X24,25	2				
				<b>REPAIR KIT</b>		<b>ITEM NO.s INCLUDED</b>	<b>PCS.</b>
				kit 57	739845973	SPARE PARTS KIT	36
				kit 59	769812973	SPARE PARTS KIT	6
				kit 257	769854973	SPARE PARTS KIT	48
				kit 256	769853973	SPARE PARTS KIT	36
				kit 122	769835973	SPARE PARTS KIT	54